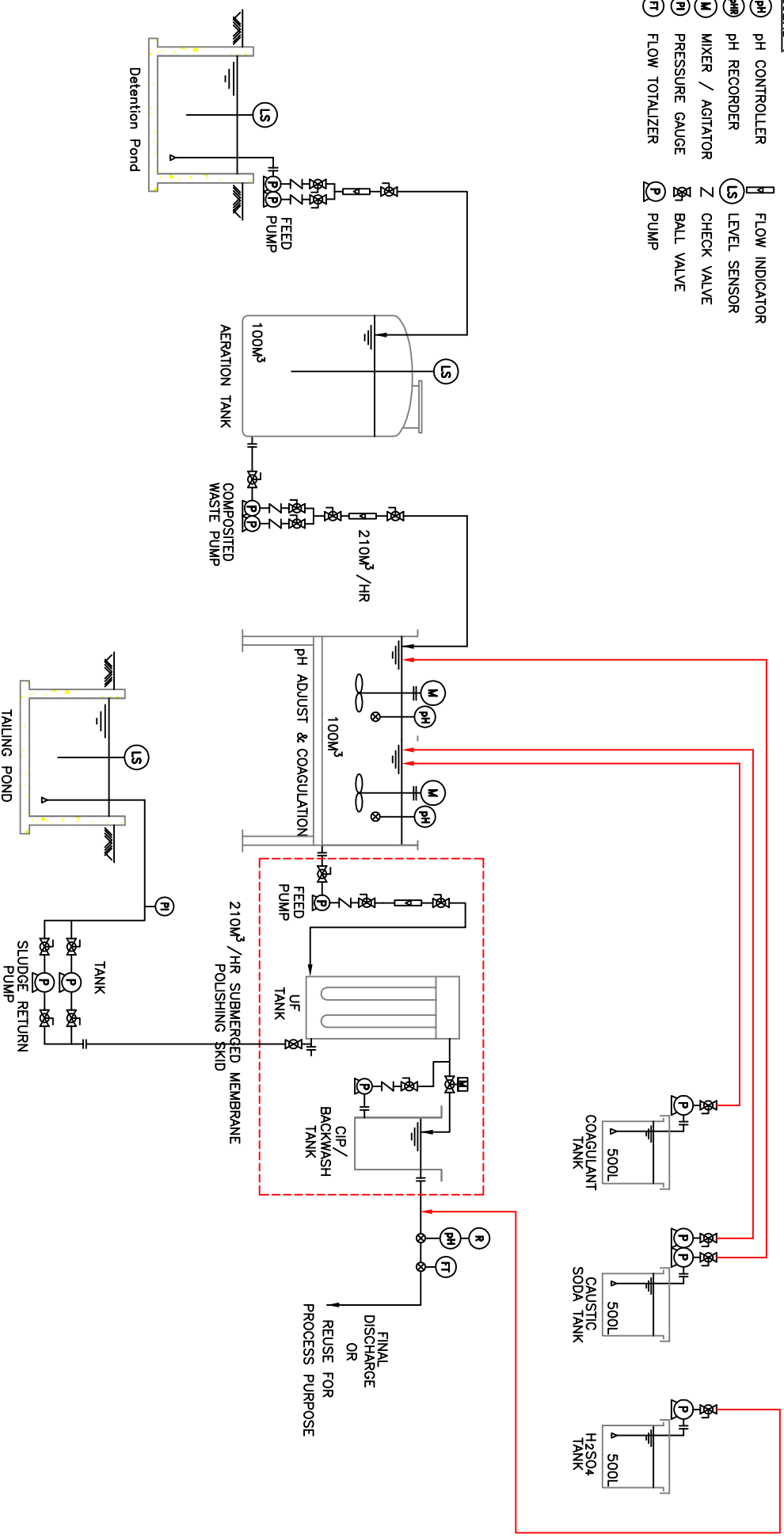


PROPOSE DESIGN FLOW DIAGRAM FOR AMD ACID MINE DRAINAGE

- LEGEND :**
- Ⓜ pH CONTROLLER
 - ⓂⓂ pH RECORDER
 - Ⓜ MIXER / AGITATOR
 - ⓂⓂ PRESSURE GAUGE
 - ⓂⓂ FT FLOW TOTALIZER
 - Ⓜ FLOW INDICATOR
 - Ⓜ LEVEL SENSOR
 - Ⓜ CHECK VALVE
 - Ⓜ BALL VALVE
 - Ⓜ PUMP



Revision:	Remarks:	By:	Date:	<p>THIS DRAWING IS THE PROPERTY OF OSMOCELL (M) SDN BHD. THIS MUST NOT BE COPIED OR REPRODUCED IN ANY MANNER OR DESIGN OR MANUFACTURED HERE OF WITHOUT WRITTEN PERMISSION OF OSMOCELL MALAYSIA SDN BHD</p> <p>OSMOCELL MALAYSIA SDN BHD D-3-3, BLOCK D, SETIA WALK, PERSIARAN WAWASAN, 47160, PUCHONG, SELANGOR DARUL EHSAN, MALAYSIA TEL.: +60358807586 FAX: +60358807587</p>	DRAWING NO: 15-2067-1
No. Revision : 0	Initial build	Yap			PROJECT: ACID MINE DRAINAGE SYSTEM
					TITLE: DESIGN FLOW DIAGRAM